

Wafer 3™

LIGHTBOX

Fact Sheet



A2 size: Ultra bright, ultra slim, ultra light, the Daylight Wafer 3 lightbox is your must have tool for tracing, on paper or fabric. LED lightbox for an even brightness from edge to edge, the light is dimmable to suit paper weight and fabric thickness and include a handy marking guide on the sides (inches and centimetres).



LIGHT QUALITY



ERGONOMICS



DESIGN

daylightcompany.com

LED 6,000K daylight

Ultra Slim Design

Touch Dimmer

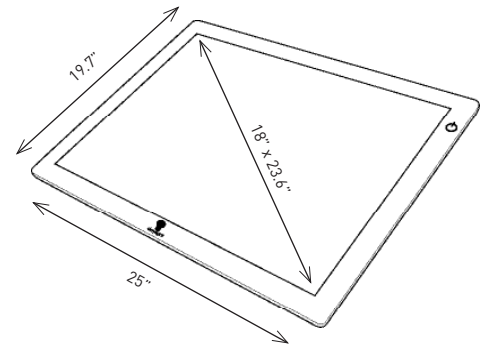
Wafer 3™

U35020

LIGHTBOX

FEATURES

- 0.31" thick
- Daylight light source provides true color matching
- LED give an even brightness
- Fully dimmable with memory function
- Illuminated area: 18" x 23.6"



SPECIFICATIONS

Product information

Weight	7lb
Color	White / Grey
Cable length	71"

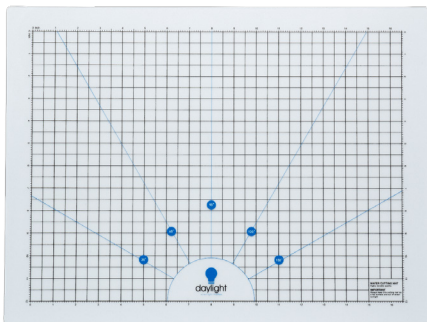
Light output

Light source	LED
Brightness Levels	Continuous
Lumens	450
Color temperature	6,000K
CRI	80+
Energy consumption	13.6W

Packaging information

Height	21.9"
Width	29.7"
Depth	2.6"
Packed weight	8.9lb
Products per master carton	4

ACCESSORIES



U35022 A2 Cutting Mat

- Self-healing cutting mat in A2 size for the Wafer 3 Lightbox